



## M224 High-Speed Flexible Shaft Cleaner

The M224 high-speed flexible shaft cleaner quickly and efficiently powers through blockages in 2"-4" lines. The M224 uses SmartDrive™ technology to help protect the 75 foot flexible drive shaft cable.

- **SmartDrive electronic controller** automatically adjusts torque limit to the obstruction in the line, no manual adjustment needed
- **Robust internal drive** gives two-handed control of the shaft with foot pedal start/stop
- Luggage-style **telescoping handle** eases transport

The exceptionally quiet M224 is powered by standard household current. And like all our equipment, includes factory direct support.



### M224 At-a-glance

**LINE SIZE** 2" - 4"

**MOTOR** electric, 110V circuit

**CABLE** 75'

**OP WT** 52 lbs

### Flexible Shaft Cleaner design priorities

Operator safety and efficiency

Electronic torque control

Quiet operation

Rugged frame

Field-serviceable

### Intelligent and Robust

Made in the USA with factory-direct support.

[www.MyTana.com](http://www.MyTana.com) ■ (800) 328-8170

# M224 Cleaner Specs

## OVERVIEW

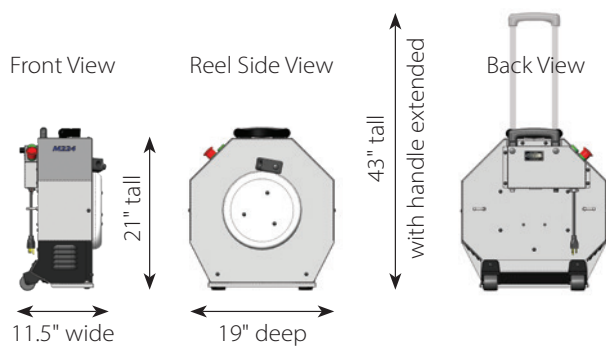
LINE SIZE	2" - 4"
RANGE	75' of flexible shaft cable
SMARTDRIVE TECHNOLOGY	Manages torque – auto-adjusts to obstruction encountered, no manual adjustment needed Helps protect flexible shaft
SPEED	Up to 1580 rpm

## MOTOR

TYPE	DC electric
POWER	110V / 15 amp source
SAFETY, CONTROL	20 amp fuse Foot pedal start/stop Emergency stop button

## FRAME

FRAME STYLE	Lightweight, rugged octagon shell Inner cable drum for smooth wind/rewind
MATERIAL / FINISH	Frame: powder coated aluminum Drum: polyethylene
MOBILITY FEATURES	Retractable transport handle 2" wide-stance wheels and non-skid stabilizing feet Balanced weight
OPERATING WEIGHT	52 pounds
DIMENSIONS	11.5" W x 19" D x 21" H



## CABLE

SIZE AND LENGTH	75' length, ½" dia. (jacket) ⅜" dia. (flex drive shaft) Field repairable and replaceable
MATERIAL	Flexible drive shaft inner wiring Poly jacket

## Optional Attachments

### Chain Knockers

Attaches easily to flexible shaft with set screws. Carbide tips attack obstructions and scale.

3 sizes, each includes 4⅝" spacer to make total length 6" and full diameter of chain. From Renssi.

3" chain dia. AY M224-1100

4" chain dia. AY M224-1200

6" chain dia. AY M224-1300



### Learn more

See the M224 online at [mytana.com/m224](http://mytana.com/m224)



010324

(800) 328-8170  
M-F | 7a to 5p CST

MyTana.com

EMAIL [mytana@idexcorp.com](mailto:mytana@idexcorp.com)



[youtube.com/videoMyTana](https://www.youtube.com/videoMyTana)

MYTANA LLC 746 SELBY AVE • ST. PAUL, MN 55104