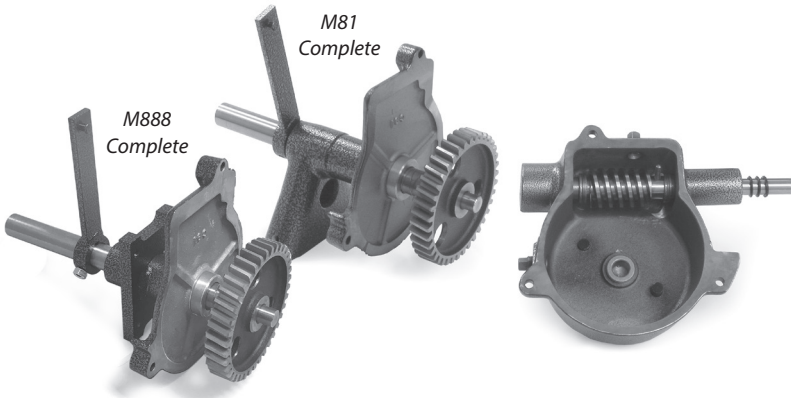


# MyTana's Gear Box Breakout for M81, M888, M98

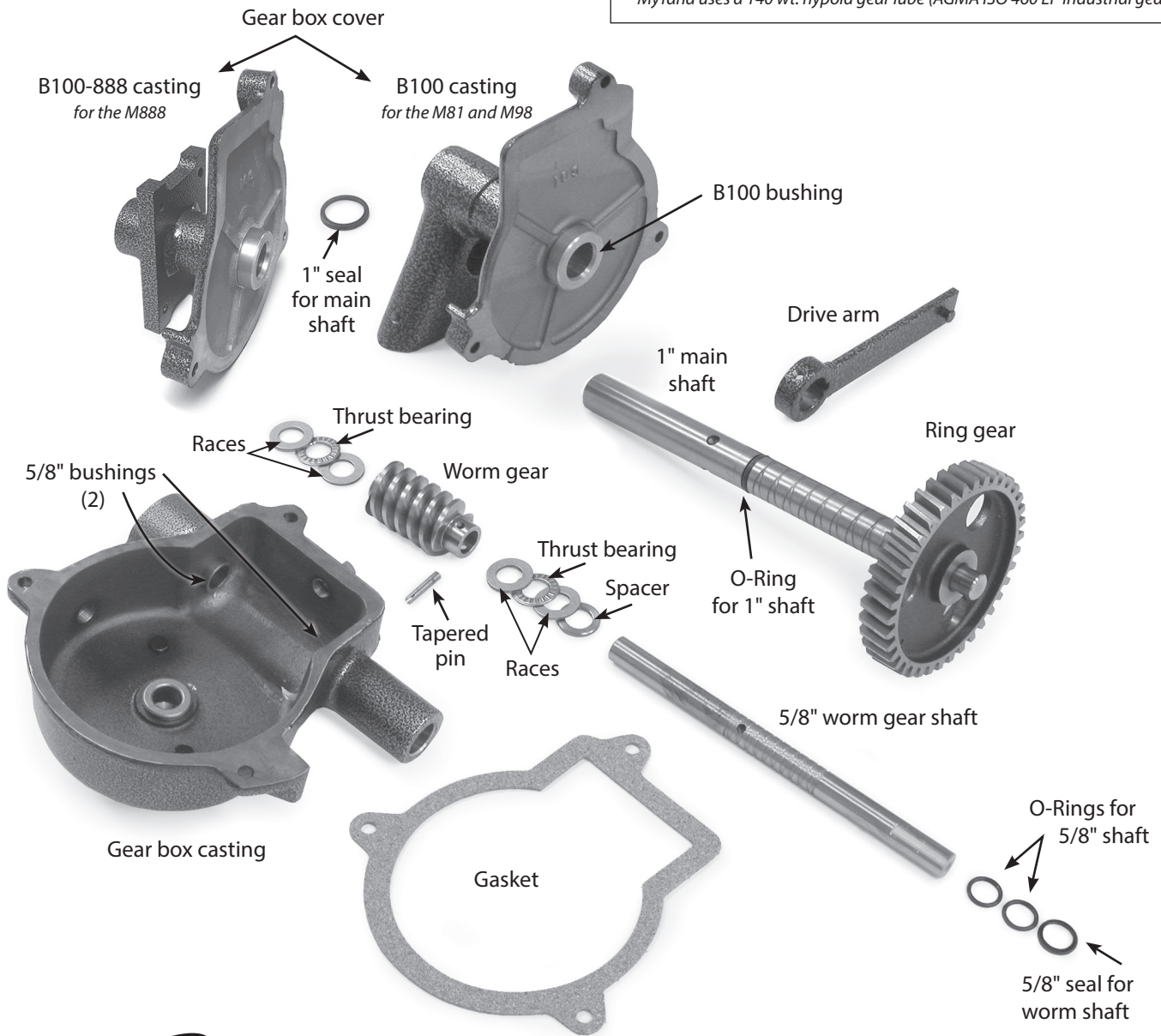


To check the oil level in the gearbox:

1. Remove the bolt on the left side of the gearbox. The oil level should be up to the level of this hole.
2. To add oil, remove the bolt at the top of the gearbox and add more in that opening. Add only enough until it comes out the side opening. Don't fill higher than this level.

Gearbox on M81

*MyTana uses a 140 wt. hypoid gear lube (AGMA ISO 460 EP Industrial gear oil)*



012622



[www.MyTana.com](http://www.MyTana.com)

746 Selby Ave • St. Paul, MN 55104  
 fax: 651.222.1739

**(800) 328-8170**

Factory Direct Customer Service  
 M-F 7am - 5pm CST  
 Competent • Polite • Clear